

GLIDE BONNET MOUNT - KIT 1

INSTRUCTIONS



EXAMPLE: KIA EV9 shown for illustrative purposes.

WHAT'S INCLUDED

- Glide LED Light Bar
- Glide Side Mounting Brackets
- Bonnet Mount Brackets (LH/RH)
- Bracket Covers (LH/RH)
- One-Lamp Wiring Kit
- Black Cable Ties (x7)
- Cable Tie Mounts (x7)
- VHB Cleaning Sachet (x1)

TOOLS REQUIRED

- Socket Set/Spanner (8mm & 10mm)
- 4mm Hex Key
- Trim Removal Tools/Pick Set
- Ratchet
- Electrical Tape
- Loctite 221/222 (or equivalent)
- Heat Shrink

GLIDE BONNET MOUNT - KIT 1

INSTRUCTIONS

INSTALLATION TIME

2 HOURS

DIFFICULTY - 2 / 5



IMPORTANT:

Ideal bonding temperature is 21°C to 38°C (70-100°F). Minimum application temperature is 10°C (50°F); below 10°C the VHB™ tape becomes firm and will not wet-out correctly. We strongly suggest leaving the vehicle and/or bezels in a garage/indoors overnight to normalise the temperature of the parts before installation. After the application, the vehicle should be left for 24 hours before driving.

PRE-INSTALLATION CHECKS

STEP 1

Ensure all vehicle systems are fully operational prior to install, and directly afterwards.

INSTALLATION

STEP 1

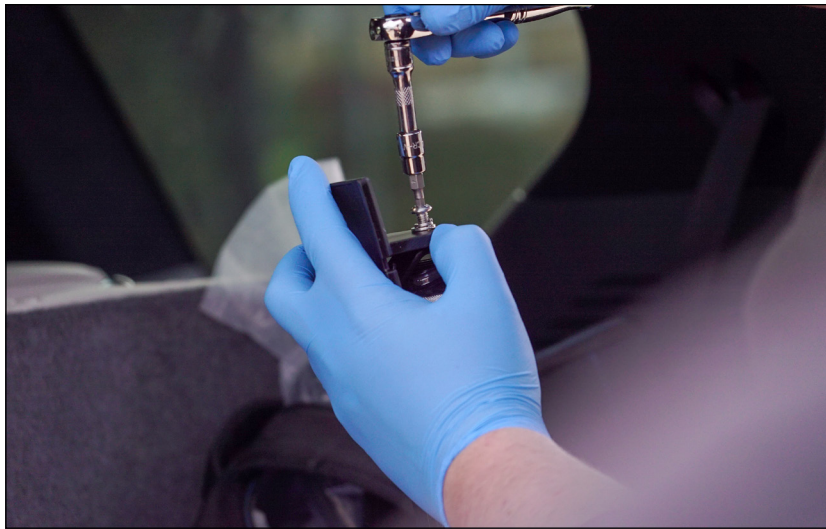
Add Loctite 221/222 to the threads on the back of Glide.





STEP 2

Attach Glide side mount brackets with supplied stainless steel bolts and spring washers.



STEP 3

Fix the bonnet mount to Glide (also using Loctite).



STEP 4

Ensure the lamp power cable is tucked away on the inside of the bonnet mount bracket.

Secure using the attached clip.



STEP 5

Using electrical tape (or similar), find the centre point of the bonnet. In this example, we used the front 360 camera and centre point of the license plate plinth as reference.



STEP 6

Clean the lamp mounting area of the bonnet with the provided 3M wipes.



STEP 7

Remove backing from the 3M VHB pads on the bonnet mounts.



STEP 8

Fix the lamp to the bonnet using the centre line of the lamp's reflectors and the tape as centre reference points.



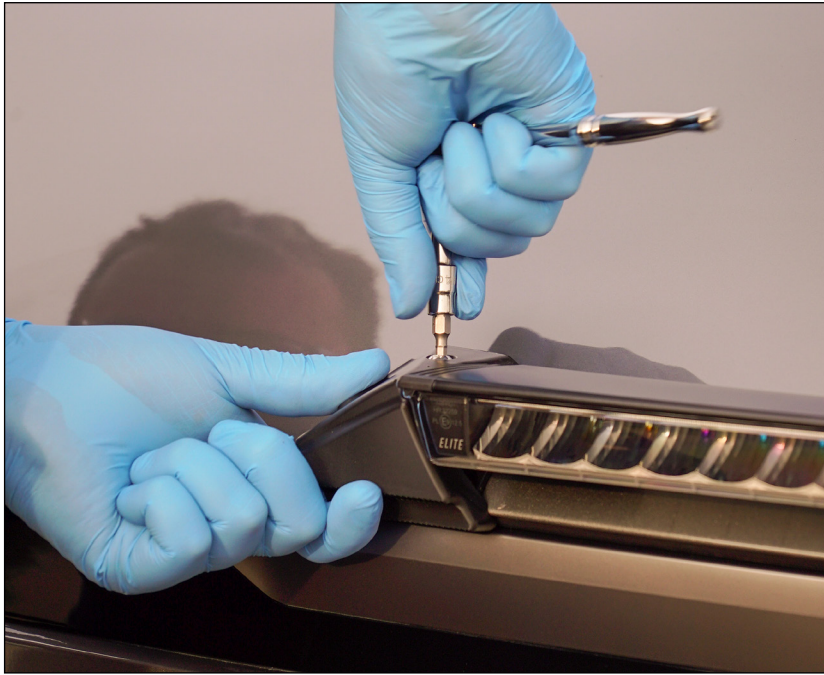
STEP 9

Press and hold the lamp to the bonnet for **at least 60-seconds** to allow the 3M VHB adhesive to grab.



IMPORTANT:

After application, the bond strength will gradually increase as the adhesive flows onto to the surface (also referred to as "wet out"). The bond build rate will depend on both tape and substrate, but generally, at room temperature, approximately 50% of ultimate bond strength will be achieved after 20 minutes, 90% after 24 hours, and 100% after 72 hours. Adhesive flow is faster at higher temperatures and slower at lower temperatures.



STEP 10

Clip on bracket end caps and secure with hex bolts.



STEP 11

Tuck the lamp power cable to the underside of the bonnet.



STEP 12

Remove the front compartment cover to expose the vehicle's 12v battery.



STEP 13

Connect wiring kit to the lamp power cable.



STEP 14

Using the supplied adhesive mounts and cable ties, secure the power cable down the bonnet.

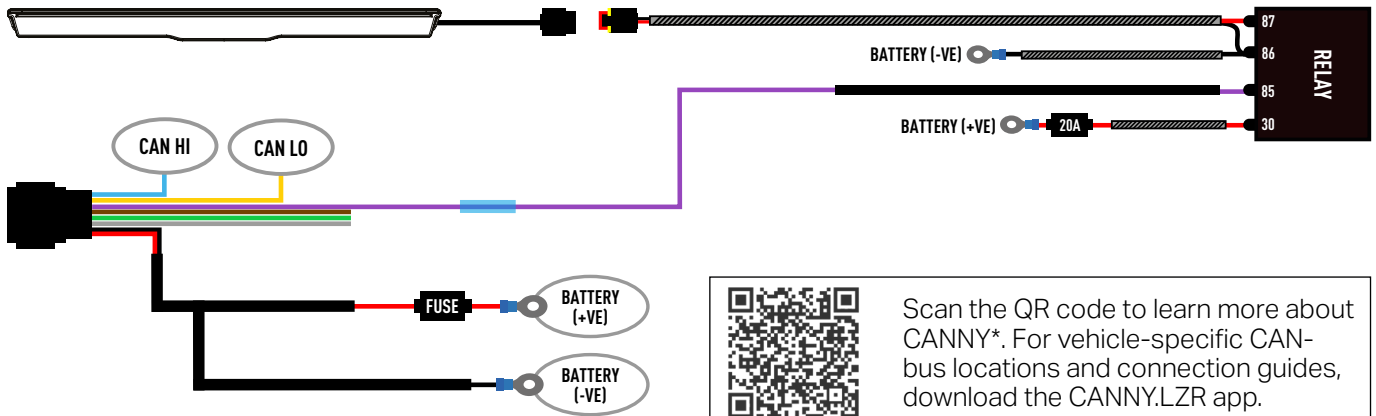


STEP 15

Trim/tidy cable tie lengths and complete all other wiring. Refit covers allowing the wiring to be routed as shown

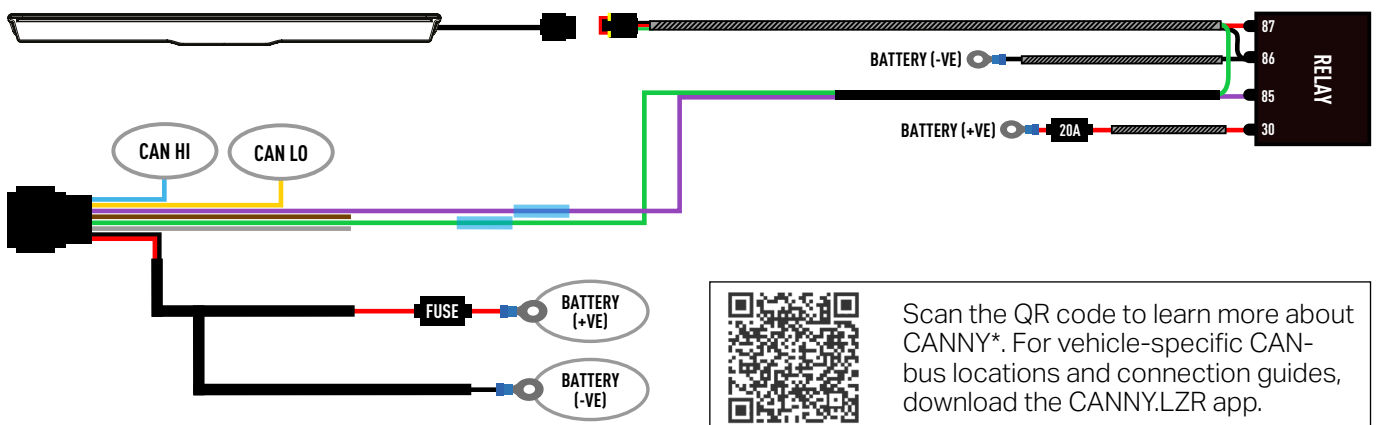
WIRING DIAGRAMS

GLIDE STANDARD / ELITE - WITHOUT POSITION / BACKLIGHT



*SOLD SEPARATELY

GLIDE STANDARD / ELITE - WITH POSITION / BACKLIGHT



*SOLD SEPARATELY